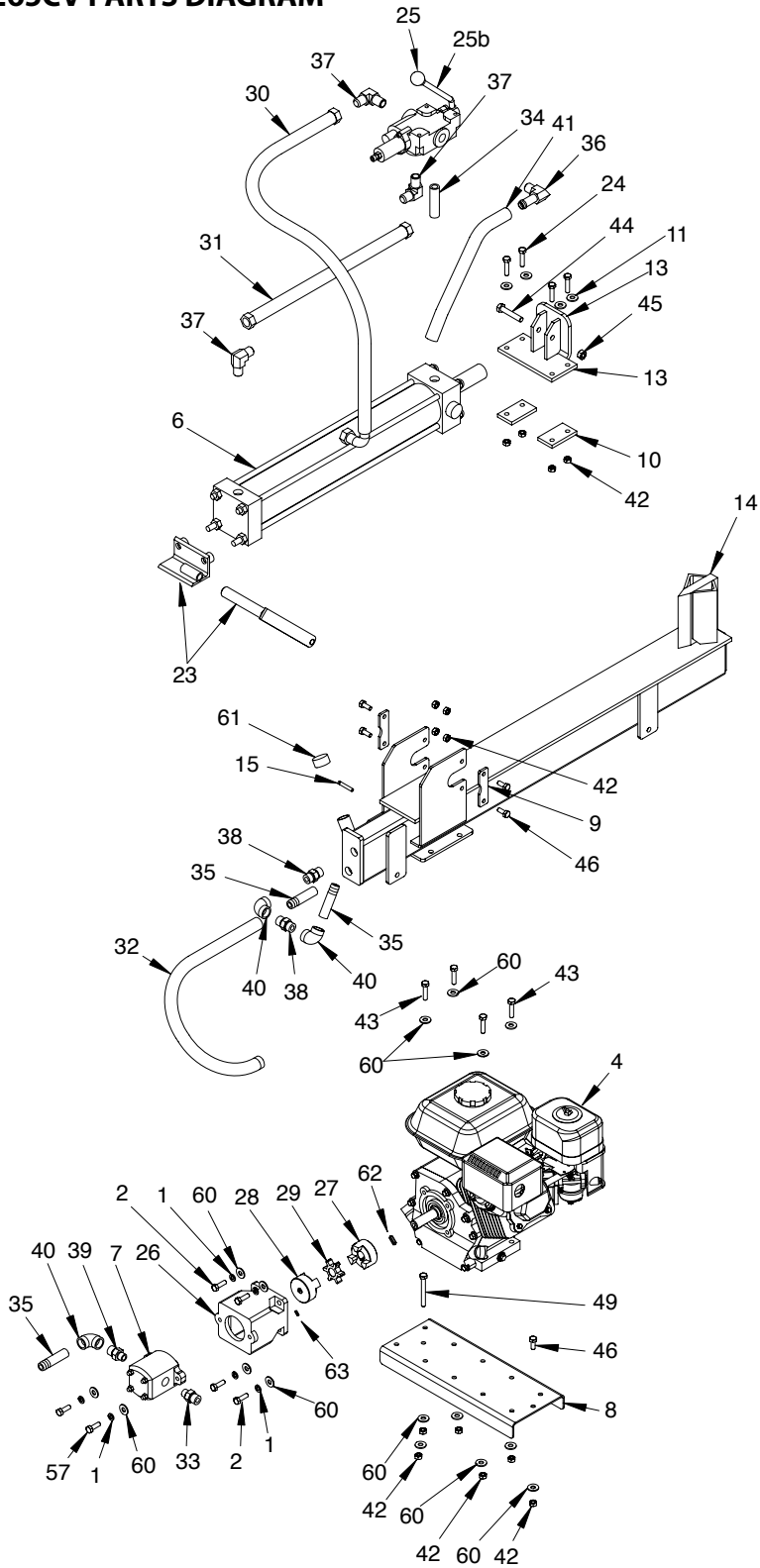
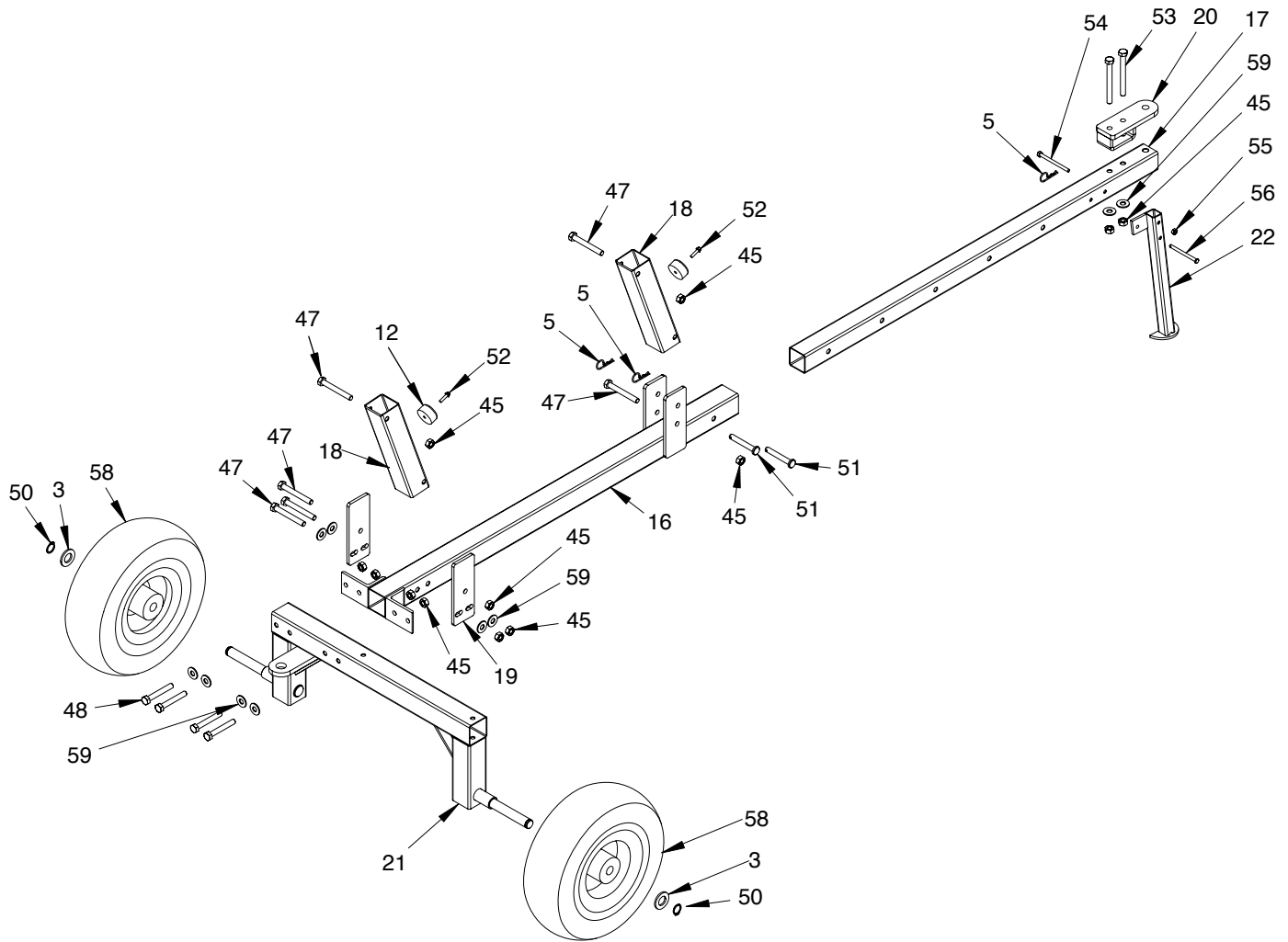


## PARTS BREAKDOWN W1265V, W1265B, W1265CV PARTS DIAGRAM



## W1265V, W1265B, W1265CV PARTS DIAGRAM (CONT.)



### W1265V, W1265B, W1265CV PARTS LISTING

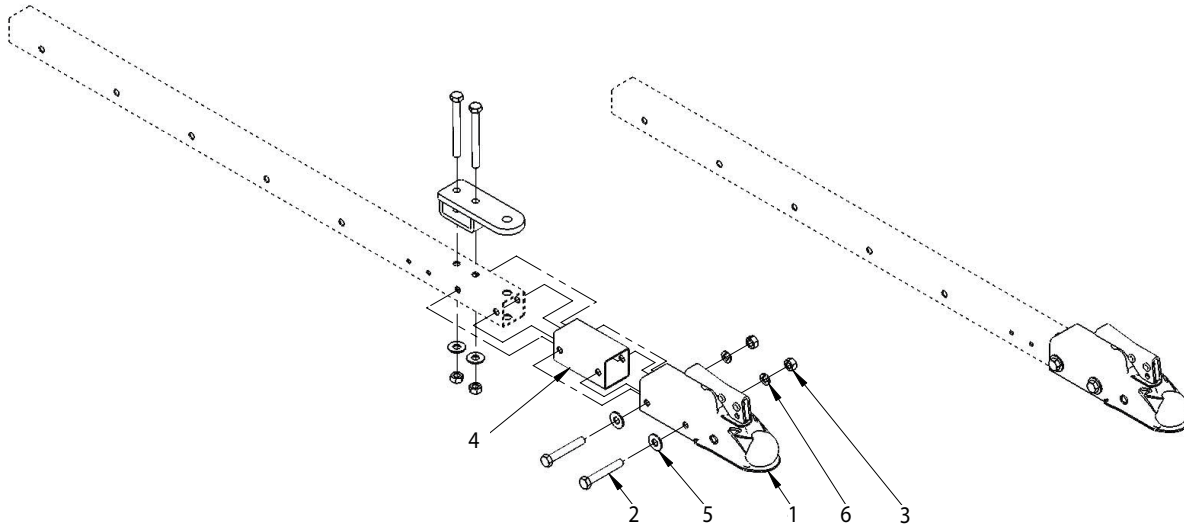
KEY #	PART #	DESCRIPTION	QTY
1	504	LOCKWASHER-SPRING 5/16"	6
2	810	BOLT 5/16-24 X 1 HH GR5	4
3	4159	WASHER 3/4" SPINDLE SAE	2
4	31320	ENGINE - 6.5 HP VIPER HORZ	1
4	31338	ENGINE 196CC HORIZONTAL VIPER	1
4	31350**	ENGINE 212CC VIPER (FOR MODEL W1265CV ONLY)	1
4	60501*	BRIGGS & STRATTON 205CC*	1
4	60501CE	ENGINE - 205CC BRIGGS & STRATTON (EUROPEAN)	1
5	HAIR5	PIN OVAL HAIR PIN 5/16" Z	3
6	W1265V0100	CYLINDER, HYDRAULIC 75MM X 21" TRUNNION MOUNT	1
7	W1265V0110	PUMP, HYDRAULIC SINGLE STAGE 4 GPM	1
8	W1265V0205	PLATE, ENGINE MOUNT 12 TON LOG SPLITTER	1
9	W1265V0209	PLATE, RETAINER TRUNNION HYDRAULIC CYLINDER	2
10	W1265V0210A	PLATE, RETAINER CAST STEEL PUSH BLOCK, 12 TON LOG SPLITTER	2
11	400024	WASHER FLAT M8 X 16 X 1.5	4
12	W1265V0216	BUMPER, PAD 12 TON LOG SPLITTER LIFT	2
13	W1265V0218A	CAST STEEL, PUSH BLOCK 12 TON LOG SPLITTER	1
14	W1265V0219	WELDMNT, BEAM 12 TON LOG SPLITTER	1
15	W1265V0220	SCREW, AIR VENT	1
16	W1265V0300	WELDMNT, TONGUE LOG SPLITTER TRAILER	1
17	W1265V0302	EXTENSION, TONGUE LOG SPLITTER TRAILER	1
18	W1265V0303	TUBE, RISER LOG SPLITTER TRAILER	2
19	W1265V0304	PLATE, RISER SUPPORT ADJ LOG SPLITTER TRAILER	2
20	W1265V0311	WELDMNT, HITCH LOG SPLITTER TRAILER	1
21	W1265V0400	WELDMNT, AXEL LOG SPLITTER TRAILER	1
22	W1265V0500	WELDMNT, KICKSTAND LOG SPLITTER TRAILER	1
23	W1265V0600	WELDMNT, LIFT HANDLE MOUNT 12 TON LOG SPLITTER	1
24	800100	BOLT M8-1.25 X 45 HHCS GR8.8 ZN F-T	4
25	W1265V0700	VALVE, LOG SPLITTER WITH SPRING RETURN	1
25B	W1265V0700K	HANDLE, VALVE WITH CLEVIS AND HAIR PINS	1
26	W1265V0801	SPACER, HYDRAULIC PUMP 12 TON SPLITTER	1
27	W1265V0802	COUPLING, LOVE JOY 19MM BORE WITH SET SCREW	1

KEY #	PART #	DESCRIPTION	QTY
28	W1265V0803	COUPLING, LOVE JOY 10MM BORE WITH SET SCREW	1
29	W1265V0804	SPIDER, LOVE JOY L SERIES	1
30	W1265V0805	HYDRAULIC HOSE 40 MPA WITH 1/7 JIC SWIVEL FITTINGS	1
31	W1265V0806	HOSE, HYDRAULIC 40 MPA WITH 1/2" JIC SWIVEL FITTINGS	1
32	W1265V0807	HOSE, HYDRAULIC SUCTION PUMP SUPPLY LOG SPLITTER	1
33	W1265V0808	FITTING, HYDRAULIC	1
34	W1265V0810	PIPE, NIPPLE 1/2 NPT VALVE SPACER LOG SPLITTER	1
35	W1265V0811	FITTING 1/2" NPT TO HOSE	3
36	W1265V0812	FITTING, ELBOW 1/2" TO HOSE	1
37	W1265V0813	FITTING, ELBOW 1/2" NPT TO 1/7 JIC	3
38	W1265V0814	COUPLING 1/2" MALE TO MALE	2
39	W1265V0815	COUPLING 1/2" TO 3/8" MALE TO MALE	1
40	W1265V0816	ELBOW 1/7 NPT	3
41	W1265V0817	HOSE, HYDRAULIC LOW PRESSURE RETURN	1
42	W1265V0900	NUT, M8 NYLOCK ZINC GRADE 8.8	14
43	W1265V0901	BOLT, M8 X 35 HHCS ZINC GRADE 8.8	4
44	W1265V0902	BOLT, M10 X 70 HHCS ZINC GRADE 8.8	1
45	W1265V0903	NUT, M10 ZINC GRADE 8.8	13
46	W1265V0904	BOLT, M8 X 20 HHCS ZINC GRADE 8.8	5
47	W1265V0905	BOLT, M10 X 80 HHCS ZINC GRADE 8.8	6
48	W1265V0902	BOLT, M10 X 70 HHCS ZINC GRADE 8.8	4
49	W1265V0907	BOLT, M8 X 70 HHCS ZINC GRADE 8.8	1
50	W1265V0908	RING, RETAINING 3/4" EXTERNAL	2
51	W1265V0909	PIN, CLEVIS M10 X 70 ZINC	2
52	W1265V0910	SCREW, MACHINE SELF TAPPING	2
53	W1265V0911	BOLT, M10 X 100 HHCS ZINC GRADE 8.8	2
54	W1265V0912	BOLT, M6 X 80 HHCS ZINC GRADE 8.8	1
55	W1265V0913	NUT, M6 NYLOCK GRADE 8.8	1
56	W1265V0914	PIN, CLEVIS M6 X 55	1
57	W1265V0915	BOLT, M8 X 25 HHCS ZINC GRADE 8.8	2
58	W1265V1000	TIRE AND WHEEL WITH BEARING AND 3/4 HUB DIA	2
59	WF38	WASHER FLAT 3/8 STANDARD ZINC	10
60	WF516	WASHER FLAT 5/16" STANDARD ZN	14
61	W1265V020303	FILLER CAP	1
62	4352	KEY 3/16 X 3/4	1
63	W1265V0820	KEY ROUNDED 3MM X 3MM X 10MM	1

\* For model W1265B only.

\*\* Engine 31350 is for model W1265CV only.

**W1265V BALL HITCH CONVERSION KIT**



**W1265V BALL HITCH CONVERSION KIT (W1265V1102) PARTS LISTING**

KEY #	PART #	DESCRIPTION	QTY
1	4386	2" BALL HITCH COUPLER	1
2	W1265V0902	BOLT, M10 X 70	2
3	W1265V0903	NUT, M10	2
4	W1265V1101	ADAPTER TUBE	1
5	WF38	FLAT WASHER	2
6	719	SPRING LOCK WASHER	2